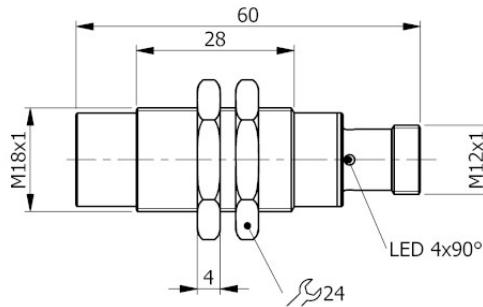


Part number: **I18000566** Model: **SI18SS-DCE16 PNP NO+NC H S**



Dimension in mm

## 1. TECHNICAL CHARACTERISTICS



Electrical data		
Power supply type:		Direct current
Working voltage:	[V]	10 ÷ 30
Current consumption:	[mA]	< 15 mA @ 24Vdc
Protection class:		III
Reverse polarity protection:		Presente
Outputs		
Electrical design:		PNP
Function:		NO+NC
Max voltage drop:	[V]	< 1.8
Max output current:	[mA]	200
Max switching frequency:	[Hz]	200
Short circuit protection:		Present
Overload protection:		Present
Detection zone		
Switching distance-Sn:	[mm]	16
Real sensing distance-Sr:	[mm]	16 ±10%
Operative distance-So:	[mm]	0 ÷ 12.96
Extended sensing distance:		Si
Accuracy and Deviations		
Correction factor:		Stainless steel: 0.9 - Brass: 0.5 - Aluminium: 0.4 - Copper: 0.4
Hysteresis:	[%Sr]	< 10
Switching point drift:	[%Sr]	-1
Repeatability:	[%Sn]	< 3
Environmental conditions		
Temperature limits:	[°C]	-25/+70
IP rating:		IP65-IP66-IP67 (depending on connector )

### Display and control elements

Display: Output switching status - 4 x 90° LED: Yellow

### Mechanical data

Housing:	Threded type
Thread designation:	M18x1
Dimensions: [mm]	M18x1 - L=60.5
Materials:	Housing: AISI 303 - Sensing area: POM grey - Lock nuts: Nickel-plated brass
Mounting:	Not embeddable
Weigth: [g]	60

### Electrical connection

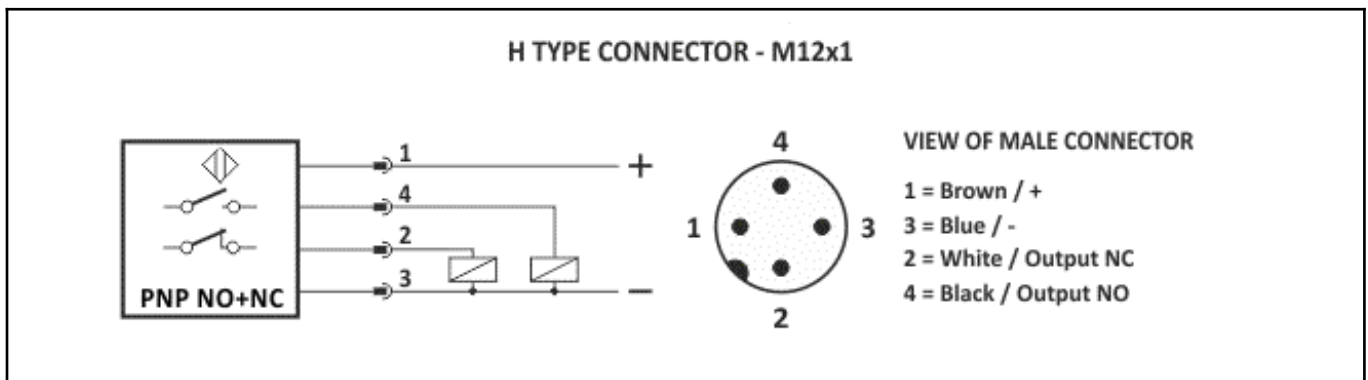
Connector: H type - M12X1 - Gold plated contacts

### Compliance to Standards / Directives

Directives compliance:	2014/30/EU -Electromagnetic compatibility directive (EMC)
Standards compliance:	EN60947-5-2 - Product standard

## 2. NORME DI INSTALLAZIONE

### WIRING DIAGRAM



### INSTRUCTIONS FOR CORRECT INSTALLATION

